



reliable, durable, customizable, affordable

[ broadcast antenna systems ]

# MODEL PSIVL5LOG

## 5 ELEMENT LOG PERIODIC LOW BAND VHF ANTENNA

LOW COST | LOW WEIGHT & WIND AREA |

### Electrical Specifications

Frequency: 54 - 88 MHz

Gain: 3.55 (5.50 dBd)

VSWR: < 1.15:1 (on channel)

Impedance: 50 ohms

Polarization: Linear

HPBW: E-Plane 66°

H-Plane 115°

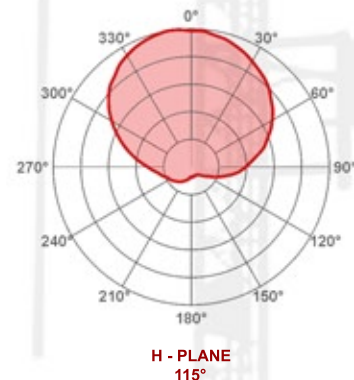
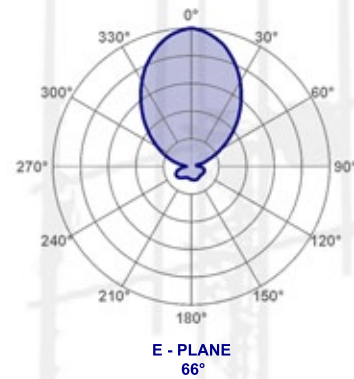
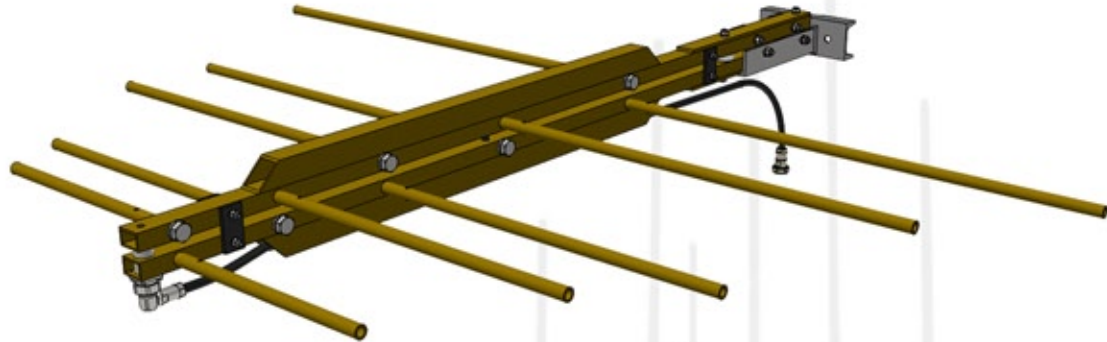
Bandwidth: Single Channel

System arrays up to 2 adjacent channels

Pattern: Directional to 4- around omni directional

Element Input: 7-16 DIN Female | 7/8" EIA Optional

Power Rating: 3kW



### Mechanical Specifications

Physical Characteristics: Treated Aluminum

Mounting: Standard mounting accomodates 1-1/2" - 4" diameter leg

Optional customizable mounting to available support structure

Vertical Height: 72" - 56" (1829mm - 1422mm) (CH 2 - 6)

Horizontal Width: 72" - 56" (1829mm - 1422mm) (CH 2 - 6)

Length Off Tower: 83" - 60" (2108mm - 1524mm) (CH 2 - 6)

Weight: 121 lbs - 95 lbs (55 kg - 43 kg) (CH 2-6)

Wind Area: 17 ft<sup>2</sup> - 8 ft<sup>2</sup> (1.58 m<sup>2</sup> - .74 m<sup>2</sup>) (CH 2-6)

Wind Survival Rating: 112 mph (180 km/h)

PSIVL5LOG antenna model is a linearly polarized antenna intended for low band VHF broadcast applications up to 3 kW of input power. Treated aluminum, plated brass, and teflon construction with hot dip galvanized mounting bracket, make it suitable for any environment. Element includes 1/2" Hi-Flex feed cable with a 12" extension.

The antenna is available in array configurations. Multi-element arrays include a power divider and cables to accomodate the increased power.

PSI reserves the right to modify the indicated technical specifications at any time without notice.